

# Tiandy



TC-C32WN Spec: I5/Y/WIFI/4mm/V4.0

## 2MP Fixed IR Wi-Fi Bullet Camera

Lite Series



### KEY FEATURES

- Metal+Plastic Housing
- Up to 1920x1080@30fps
- S+265/H.265/H.264
- Min. illumination Color: 0.02Lux@F2.0
- Smart IR, IR Range: 50m
- Operating Conditions -35°C~65°C, 0~95% RH
- Built-in Mic, SD Card Slot, Reset Button
- Support Wi-Fi
- IP67



**Tiandy Technologies Co.,Ltd.**

Email: [sales@tiandy.com](mailto:sales@tiandy.com) Tel: +86-22-58596178  
Website: [en.tiandy.com](http://en.tiandy.com) Fax: +86-22-58596048



## SPECIFICATIONS

Camera	
Image Sensor	1/2.8" CMOS
Signal System	PAL/NTSC
Min. Illumination	Color: 0.02Lux@ (F2.0, AGC ON), B/W: 0Lux with IR
Shutter Time	1s to 1/100,000s
Day & Night	Dual IR Cut Filter with Auto Switch
Wide Dynamic Range	Digital WDR
Angle Adjustment	Bracket, pan 0~360°, tilt 0~75°, rotate 0~360°
Lens	
Lens Type	Fixed
Focus	4mm
Lens Mount	M12
Aperture	F2.0, Fixed
FOV	Horizontal field of view: 83.3° Vertical field of view: 46.8°
Illuminator	
IR LEDs	2
IR Range	Up to 50m
Wavelength	850nm
White LEDs	N/A
Compression Standard	
Video Compression	S+265/H.265/H.264
Video Bit Rate	32Kbps~6Mbps
Audio Compression	G.711/G.711U/ADPCM
Audio Bit Rate	8K~48Kbps
Image	
Max. Resolution	1920x1080
Main Stream	PAL: 25fps (1920x1080, 1280x720, 704x576, 640x480) NTSC: 30fps (1920x1080, 1280x720, 704x480, 640x480)
Sub Stream	PAL: 25fps (704x576, 704x288, 640x360, 352x288) NTSC: 30fps (704x480, 704x240, 640x360, 352x240)
Third Stream	N/A
Image Setting	Saturation, brightness, contrast, sharpness, adjustable by client software or web browser
Image Enhancement	BLC/3D DNR/HLC
ROI	N/A
OSD	16x16, 32x32, adaptable size, Letters Such as Week, Date, Time, Total 3 Regions
Picture Overlay	N/A
Privacy Mask	Yes, 4 regions
Smart Defog	Yes
Feature	
Alarm Trigger	Motion Detection, Mask Alarm, IP Address Conflict
Video Analytics	Tripwire, Perimeter
Early Warning(EW)	N/A

# Tiandy

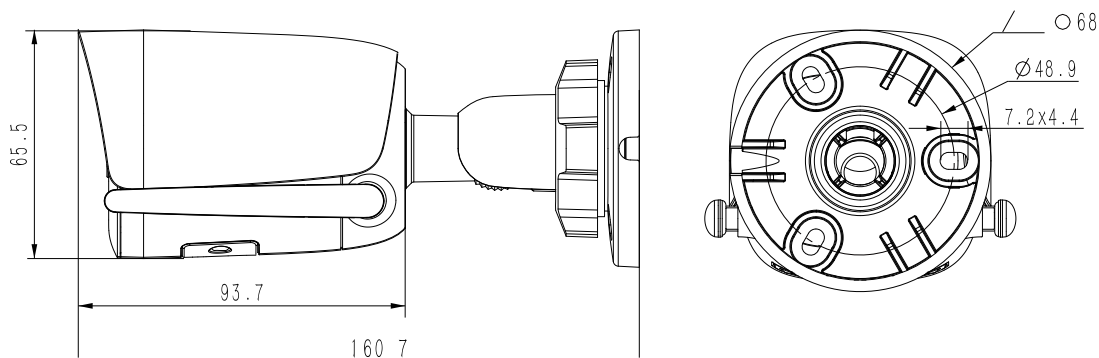
Network	
Network Storage	N/A
Protocols	TCP/IP, HTTP, FTP, DHCP, DNS, DDNS, IPV4, NTP, UDP, Telnet, ICMP, RTP, RTSP, UPnP
System Compatibility	ONVIF (PROFILE S/T/G), SDK, P2P(Mutually exclusive with Profile G)
Remote Connection	≤7
Client	Easy7, EasyLive
Web Version	Web5
Wi-Fi	
Wireless Standards	IEEE802.11b/g/n
Frequency Range	2.4GHz ~ 2.4835 GHz
Channel Bandwidth	20/40MHz
Protocols	802.11b: CCK, QPSK, BPSK 802.11g/n: OFDM/HT
Security	WPA-PSK/WPA2-PSK
Transfer Rates	802.11b: 11Mbps 802.11g: 54Mbps 802.11n: up to 150Mbps
Wireless Range	Up to 50m (The performance varies based on actual environment)
Power Consumption	802.11b: 17±1.5dBm@11Mbps 802.11g: 14±1.5dBm@54Mbps 802.11n: 12.5±1.5dBm@150Mbps
Interface	
Communication Interface	1 RJ45 10M/ 100M self adaptive Ethernet port
Audio I/O	Mic in
Alarm I/O	N/A
Reset Button	Yes
On-board storage	Built-in MicroSD card slot, up to 512 GB
General	
Firmware Version	-
Web Client Language	15 languages English, Russian, Spanish, Korean, Italian, Turkish, Simple Chinese, Traditional Chinese, Thai, French, Polish, Dutch, Hebraism, Arabic, Vietnamese
Operating Conditions	-35°C ~ 65°C, 0 ~ 95% RH
Power Supply	DC 12V±25%
Power Consumption	MAX: 6.8W(12V)
Protection	IP67, Lightning protection, surge protection and voltage transient protection meets EN 55035:2017
Heater	N/A
Dimensions	161mm×68mm×66mm (6.34×2.68×2.60 inch)
Weight	0.31Kg (0.68lb)

\* Listed resolutions are only selectable options. It does not mean that all streams can work at their maximum resolution at the same time.

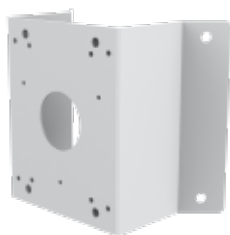
## AVAILABLE MODEL

### TC-C32WN SPEC: I5/Y/WIFI/4MM/V4.0

## DIMENSIONS



## ACCESSORIES



A35  
CORNER MOUNT



TC-P54BM SPEC: V5  
JUNCTION BOX



A36  
POLE MOUNT

DISTRIBUTED BY



**Tiandy Technologies Co.,Ltd.**

Email: [sales@tiandy.com](mailto:sales@tiandy.com)  
Website: [en.tiandy.com](http://en.tiandy.com)

Tel: +86-22-58596178  
Fax: +86-22-58596048